

## Sink GK vintage

Kitchen Sinks

Code: 1404 880



### DETAILS

Edge/Installation Type	Undermount
Material	AISI 304 stainless steel
Texture	Vintage
Base	80 cm
Dimensions	740x450 mm
Standard fittings	Fixing hooks, gasket, drain, overflow and siphon, boxed packing
Mixer holes	No standard holes
Built-in hole	710x420 mm
Drainer	No

Width 74 cm

---

Bowl dimension 630x400mm

---

Number of bowls 1 bowl

---

Waste fitting Drain SPACE 3,5"

---

## FEATURES

**VINTAGE** The Vintage finish gives the product a long-lived and elegant look, creating a surface that does not fear scratches.

---

**Double mixer hole** The large tap counter is already fitted with a series of 2 tap holes. In the second hole it is possible to install the remote control of the automatic drain or, alternatively, a practical soap dispenser.

---

**Diamond-shape bottom** The draining of water is an important feature in a sink, and it's always taken good care of in Foster products. In the bent-welded sinks, which would have a flat bottom, the proper draining is guaranteed by the elegant beveling, which helps the water flow.

---

**Inclined recess** A deep and inclined recess houses the burners and grigs, allowing to create a single work surface. The inclination also makes it extremely easy to clean the edges.

---

**High thickness** 1mm thick steel. A significant thickness, which guarantees the maximum sturdiness and durability.

---

**Space waste fitting** The elegant SPACE steel cap closes the drain and leaves no visible residues collected in the basket below. Space also has a small footprint and allows the optimal use of the under-sink compartment.

---

**Squared bowls - 0/9 radius** The square bowls of Foster have perfectly squared vertical edges, while those on the bottom have a small radius of 9 mm that facilitates cleaning operations.

---

**Save space system** Drain and siphon are designed to leave as much space as possible in the under-sink area, more and more useful today for theseparate waste collection systems.

---

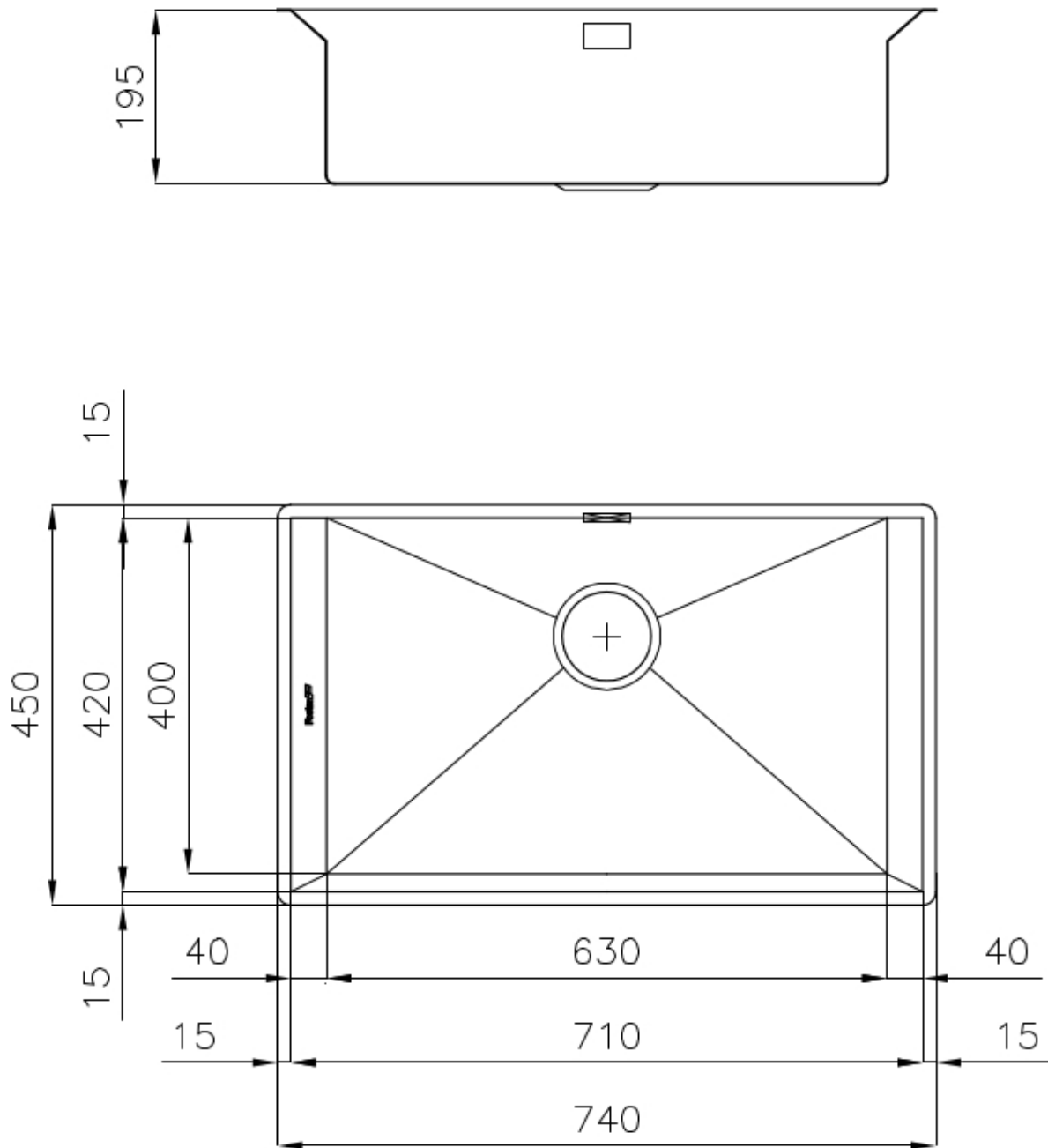
## Perimetral overflow

The overflow is always a security on the Foster sinks that prevents the overflow of water in case of oversights. The perimeter drain solution improves aesthetics thanks to its square and essential shape.

## Small radius

Bowls with squared shapes with a modern design and an increased capacity, for a minimal aesthetics connected with an extreme practicality.

## TECHNICAL DATA



## GALLERY



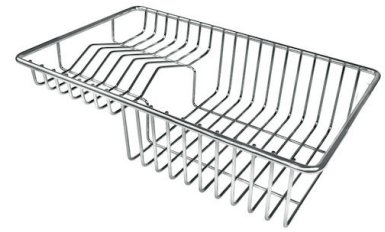
## OPTIONAL ACCESSORIES



**HPDE twin chopping board**  
8644 100



**Iroko-wood sliding chopping board**  
8656 001



**Stainless steel plate rack**  
8100 303



**Graters kit with ring-holder and  
food collection tray**  
8159 101



**Stainless steel perforated tray**  
8151 000

## RECOMMENDED PAIRINGS



**Mixer Tap GK**  
8488 000

## OPTIONAL AUTOMATIC WASTE FITTINGS



**Automatic waste fitting**  
8407 113



**Space automatic waste fitting**  
8407 108



**Space automatic waste fitting**  
8407 109



**Space Light automatic waste fitting**  
8407 117



**Space Milano automatic waste fitting**  
8407 115



**Space Push automatic waste fitting**  
8407 116